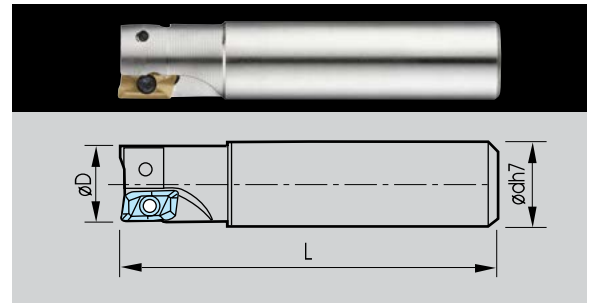


# 90° 端銑刀

## END MILLING CUTTERS (90°)



型號規格 EDP NO.	刃徑 Dia	尺寸 Dimension(mm)			刃數 No. of teeth	適用刀片 Insert	螺絲 Screw	板手 Wrench
		d	L1	L2				
JMC1616-11-2T	16	16	120	30	2	BDMT11T3 BDGT11T3	M2.5x0.45	T8
JMC1816-11-2T	18	16	120	30	2			
JMC2020-11-3T	20	20	120	30	3			
JMC2120-3T11	21	20	120	30	3			
JMC2220-3T11	22	20	120	30	3			
JMC2420-3T11	24	20	120	30	3			
JMC2525-3T11	25	25	120	40	3			
JMC2625-3T11	26	25	120	40	3			
JMC3025-4T11	30	25	130	40	4			
JMC3232-4T11	32	32	130	40	4			
JMC3432-5T11	34	32	130	40	5			
JMC4032-5T11	40	32	150	50	5			
JMC2525-2T17	25	25	120	40	2	BDMT1704 BDGT1704	M4x0.7	T15
JMC3232-3T17	32	32	130	40	3			